

Ci-CC30

ControlNet Bus HUB

Repeater

ShenZhen Comark Technology Co., Ltd.

Tel: 86-755-26055466

Fax: 86-755-22630031

Post : 518126

Addr: Floor 4, Building G, No. 2 Tangxi Industrial Zone, No. 21, Xijing Road, Gu Shu, Xi Xiang, Bao'An District, Shenzhen, 518126, P. R. China.

Website: <http://www.comark.cn>

Summary

This series is designed for industrial grade ControlNet HUB Repeater, support ControlNet protocol, Support 3 Chs Fieldbus serial ports data communication, Hub repeater and star link. It can extend the ControlNet Fieldbus transmission distance, change fieldbus diagram, at same time, it has photon coupled isolation and Anti signal interference functions, Baud rate can be set via DIP. The product is Industrial grade designed, Casing: IP40 protection, wave grain aluminum reinforce case option, DIN rail mounting, DC(9~36V) power input, support Fieldbus ports error Relay alarm output, dual redundant power input and isolation protection. -40~75°C Operating Temperature, can meet various Industrial situation.

Characteristic

- Support 3 ControlNet bus, according to ControlNet Protocol, Baud Rates: 5Mbps
- 3 Ports HUB function, support star link and extend the ControlNet Fieldbus transmission distance
- Support Dial switch for setting communication rate (all ports baud rate must be same)
- Support 3 Chs photon coupled isolation ports, Isolated Voltage 1000V, and 4000V Anti-thunder protection
- Support 4 dual colors LED Indicator, Fieldbus ports error Relay alarm output
- DC (9~36V) dual redundant power input, With DC1500V voltage isolation and reverse connect protection
- IP40 protection, Metal case (wave grain aluminum reinforce case option), 35mm DIN-Rail Installation
- Operating Temperature: -40°C to 75°C suitable to various Industrial work situation

Specification

Bus data interface

- Interface type: BNC-F coaxial cable interface, conform to ControlNet protocol standard
- Support ControlNet bus standard
- Baud Rates: 5Mbps
- Signal Delay (electrical interface): ≤ 1.2us
- Isolated voltage 1000V, 4000V Anti-thunder

More Reliable Connection, More Intelligent Life

protection

- Resistor: without terminal resistor, connect external when necessary

Power

- DC (9~36V) dual redundant power input, industrial standard voltage DC24V, consumption is less than 4W, With DC1500V voltage isolation and reverse connect protection, adopt 5 cores 5.08mm industrial terminal port (please use industrial standard power, otherwise it will occur unit error or damage).

Protection

- Relay: Fieldbus ports error Relay alarm output
- Contact rating: 1A @24V DC, Industrial Terminal port

Mechanical

- Dimensions (H×D×W): 136mm×104.8mm×52.8mm
- Weight: 800g
- Casing: IP40 protection, wave grain aluminum reinforce case option
- Installation: Wall mounting or DIN rail mounting

Environmental

- Operating Temperature: -40 °C ~75 °C (-40 °C ~85 °C optional)
- Storage Temperature: -40°C~85°C
- Ambient Relative Humidity: 5%~95%(non-condensing)

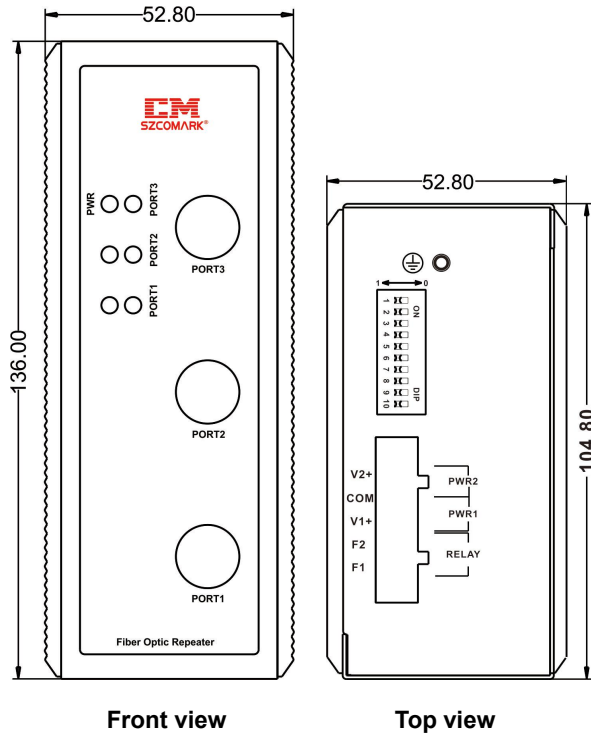
Warranty

- Warranty Period: 5 years

Certifications

- IEC61000-4-2(ESD): Power ±4KV Contact, ±15KV Air; Relay ±2KV Contact, ±15KV Air; Data Cable ±15KV Air
- IEC61000-4-4(EFT): Power ±1KV, Data Cable ±1KV
- IEC61000-4-5(Surge): Power ±2KV CM/ ±1KV DM, Relay ±2KV CM/ ±1KV DM
- IEC60068-2-27(Shock)
- IEC60068-2-32(Free Fall)
- IEC61000-6-2(General Industrial Standard)
- EN50121-4 (rail transit)

Overall Dimension



LED Indicators

| LED | state | Description | Alarm |
|---------|-------------|--|-------|
| PWR | off | Non-connect or error | No |
| | Green light | Power is ok | No |
| | Red light | Power Error | No |
| PORT1-3 | off | Fieldbus is closed | No |
| | Red light | The following conditions are called copper link failure: 1. No data received within 2 seconds on corresponding electric port. 2. Wrong setted. | Yes |

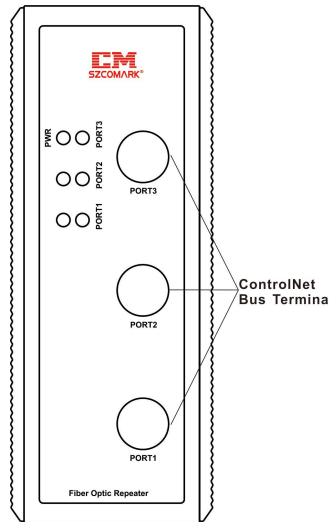
| | | |
|-------------|--|-----|
| Red shine | Electric port fault but has data sending | Yes |
| Green light | Copper port is normal | No |
| Green shine | Copper port is normal, can received data | No |

Terminal Resistor

Resistor is to eliminate the effect of the signal reflected in communication cable, in Actual configuration, the Terminal resistors of the two ends of line should be on the state of "ON", the ones of intermediate node should be on the state of "OFF", otherwise, it may make communication error. Suggest to use ControlNet standard connector and line.

Connection

1. Bus cable wiring methods: make standard ControlNet bus cable (RG6) coaxial connector (M) insert directly this device M coaxial head, and screw connection set tightly.

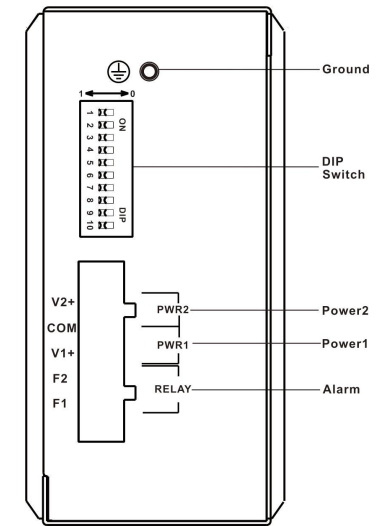


2. Power and Relay alarm output connection:

- a) this device supports dual redundant input, V1 +, V2 + respectively connect the anode of power supply (DC9~36V), COM with cathode (double power sharing).
- b) Relay alarm output connection: F1, F2 in normal open. When the alarm is closed, make F1, F2 both

More Reliable Connection, More Intelligent Life

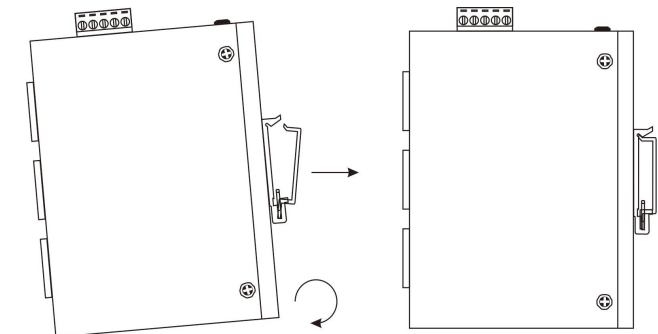
contacted in series with external alarm circuit (e.g., buzzer, etc.).(When there is no electricity on device, the relay is closed.) As shown in the figure below.



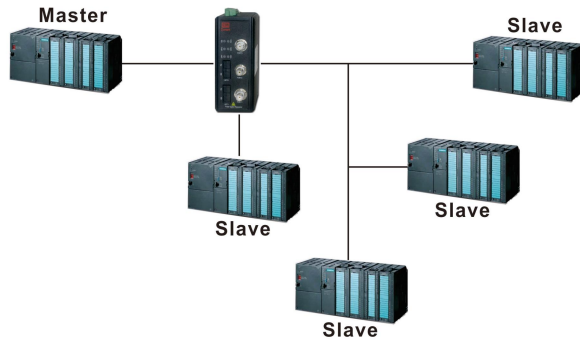
DIN-Rail Installation

In order to use in industrial environments expediently, Ci-CC30 adopt 35mm DIN-Rail installation, the installation steps as follows:

- Step 1: Examine the DIN-Rail attachment
- Step 2: Examine DIN Rail whether be firm and the position is suitability or not.
- Step 3: insert the bottom of the DIN-RAIL into the slot, then insert the top of the DIN-RAIL into the slot.
- Step 4: after insert the DIN-RAIL into the slot, check the device is installed into the slot firmly.



Typical Application



can exceed the rated one(1A@24VDC), otherwise, it will damage the unit.

- This device is precision communication instruction, please insure its ground connection well, the device ground connection is via the landing screw on the sideboard, please use the professional landing line, which is less than 2.5 mm², and landing resistor is less than 5Ohms.

Order Information

| Part No. | Product series | Description |
|----------|----------------|--|
| Ci-CC30 | 3*copper | ContriNet HUB repeater, 3 Chs ControlNet Ports, 5Mbps baud rate. |

Troubleshooting

| Fault Symptoms | What to Do |
|-------------------------------|---|
| PWR off | Check and ensure the power supply meets the requirement, and terminal wiring is correct or not. |
| PWR Red light | Device working error |
| PORT1~3 Off | Check the port dial switch is 0000 |
| PORT1~3 Red shine | Check the port dial switch is 0000 |
| LED Normal, can't communicate | Check the systems time delay spec meet the fieldbus standard, please note the unit time delay addition effect, please modify PLC parameter. |

Attached List (Ci-CC30 series Baud rate

switch set)

| SW | Function |
|----------|--|
| S1...S3 | must be 000 |
| S4...S7 | ControlNet BUS Baud rate set, must be 0000 |
| S8...S10 | must be 000 |

Package Checklist

Please check accessories completely when open the box.

Packing list is as follows:

- ControlNet HUB Repeater (with industrial terminal block for power equipment)
- Product specification
- Product warranty card

Cautions

- Please use DC24V Industrial standard power. Please use 0.75mm² above quality copper line.
- When relay alarm output, the voltage and current