

6-Port 100M Compact Ethernet Switch



- 4*10/100Base-T(X) RJ45 ports, support Auto-Negotiation speed (10M/100M), auto Full Duplex/ Half Duplex mode, auto MDI/MDI-X connection
- 2*100BaseFX Fiber ports (default SC port, FC/ST port optional), max distance to 120km
- Support wide range voltage 12~48V DC power input
- Metal housing with IP40 protection, support high EMC level
- DIN-Rail Mounting and Wall Mounting supported
- Wide Operating Temperature (-40~85°C) to satisfy harsh industrial environment

Product Overview

6-Port 100M Compact Industrial Ethernet Switch is designed with IP40 metal housing and high level EMC protection, supports Auto-Negotiation speed, power input with wide range voltage, 4*10/100BaseT(X) RJ45 ports and 2*100BaseFX fiber ports, and DIN35 rail or wall mounting for the different industrial circumstances. It can work in harsh -40~85°C environment to provide the reliability and flexibility for your industrial Ethernet solution.

Features

- Support 802.3/802.3u, store-and-forward switching
- 4*10/100Base-T(X) RJ45 ports, support Auto-Negotiation speed (10M/100M), auto Full Duplex/ Half Duplex mode, auto MDI/MDI-X connection
- 2*100BaseFX Fiber ports (default SC port, FC/ST port optional), max distance to 120km
- Metal housing with IP40 and high level EMC protection
- Wide range power voltage with 12~48V DC input
- Work in -40~85°C wide temperature

Specifications

Technical Standard

- Protocol: IEEE802.3、IEEE802.3u

Interface

- RJ45 port: 10/100BaseT(X) speed Auto-Negotiation, Full/Half Duplex mode, MDI/MDI-X connection
- Fiber port: 100BaseFX100M Full Duplex SC port (with FC/ST options), max distance to 120km

Switching Characteristic

- 10M Frame Forward Rate:14881pps
- 100M Frame Forward Rate:148810pps
- Forward Mode:store-and-forward
- Switching Bandwidth:1.2Gbps
- Cache Size:448Kbits
- MAC Address Table:1K

Power Supply

- Input: Wide DC power input 12~48VDC (12V/24V/48V typical) with 7.62mm industrial power terminal
- No-load Consumption:< 2.16W (@24VDC)
- Full-load Consumption:< 2.88W (@24VDC)

Physical Characteristic

- Dimensions(W×H×D):40mm×128mm×96mm
- Weight:300g
- Housing: Metal, IP40 protection
- Installation: Wall mounting or DIN rail mounting

Environment Limits

- Work Temp:-40°C~85°C
- Storage Temp:-40°C~85°C
- Relative Humidity:5%~95%(non-condensing)

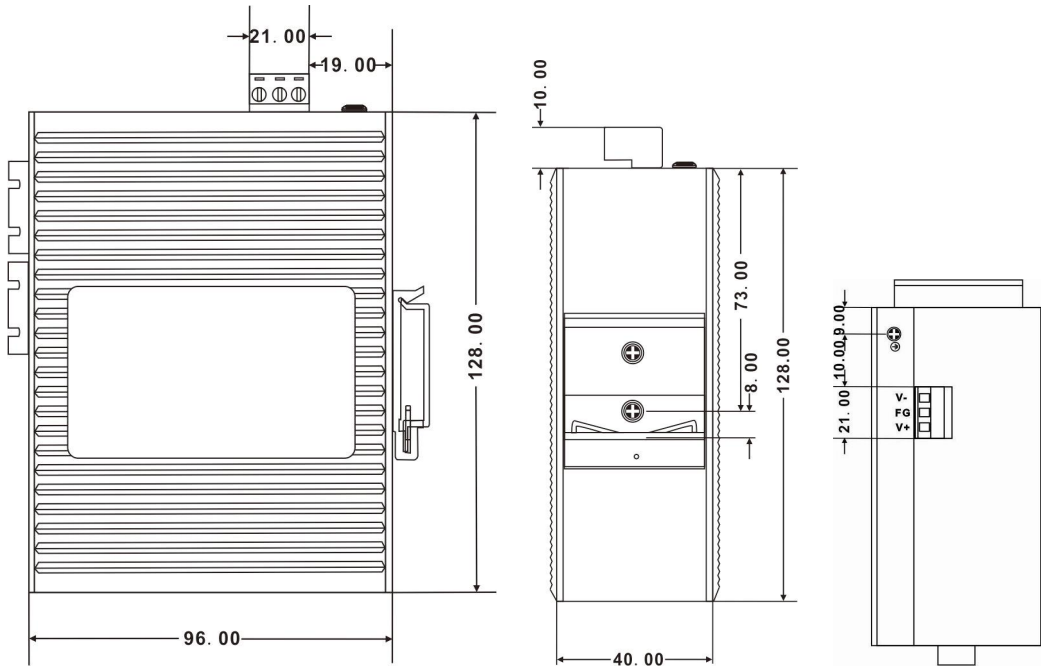
Warranty

- Warranty Period: 5 years

Standards and Certifications

- IEC61000-4-2(ESD):±6KV Contact, ±15KV Air (150KHZ-80MHZ)
- IEC61000-4-3(RS):10V/M(80-1000MHZ)
- IEC61000-4-4(EFT):Power ±4KV, Data Cable ±2KV
- IEC61000-4-5(Surge):Power ±4KV CM/ ±1KV DM, Data Cable±4KV
- IEC61000-4-6(CS):3V (10KHZ-150KHZ), 10V
- IEC61000-4-16(MS):30V COUNT 300V, 1S
- IEC60068-2-6(Vibration)
- IEC60068-2-27(Shock)
- IEC60068-2-32(Free Fall)
- IEC61000-6-2(General Industrial Standard)

Dimensions(mm)



Models

Model	Description
Ck1042	6-Port 100M Compact Ethernet Switch, 4*10/100Base-T(X) RJ45 ports, 2*100Base-FX Fiber ports (SM/MM), -40°C~85°C

Package List

- 6-Port 100M Compact Ethernet Switch with industrial power terminal
- Product Manual
- Product Warranty