

6-Port Gigabit Compact Ethernet Switch



- 1~4 gigabit Ethernet ports, Auto-negotiation speed, auto Full/Half Duplex Mode, and auto MDI/MDI-X connection
- 0~2 1000M SFP ports, 1000M optic fiber(SM/MM) or RJ45 interface module optional
- Support wide range voltage 12~48V DC power input and over-current protection function
- Metal housing with IP40 protection, support high EMC level
- DIN-Rail Mounting and Wall Mounting supported
- Wide Operating Temperature (-40~75°C) to satisfy harsh industrial environment

Product Overview

6-Port Gigabit Compact Industrial Ethernet Switch is designed with IP40 metal housing and high level EMC protection, supports Auto-Negotiation speed, power input with wide range voltage, 1~4*10/100/1000BaseT(X) RJ45 ports and 0~2 1000M SFP ports, and DIN35 rail or wall mounting for the different industrial circumstances. It can work in harsh -40~75°C environment to provide the reliability and flexibility for your industrial Ethernet solution.

Features

- Support for IEEE802.3/802.3u/802.3ab/802.3z, store-and-forward switching
- 4*10/100/1000Base-T(X) RJ45 ports, support Auto-Negotiation speed (10M/100M), auto Full Duplex/Half Duplex mode, auto MDI/MDI-X connection
- 0~2 1000M SFP ports (1000Base-X, 1000Base-T optional), max distance to 120km
- Metal housing with IP40 and high level EMC protection
- Support wide range voltage 12~48V DC power input and over-current protection function
- Work in -40~75°C wide temperature

Specifications

Technical Standard

- Protocol: IEEE802.3、IEEE802.3u、IEEE 802.3ab、IEEE 802.3z

Interface

- RJ45 port: 10/100/1000BaseT(X) speed Auto-Negotiation, Full/Half Duplex mode, MDI/MDI-X connection
- SFP port: 1000Base-X, SFP Copper 1000Base-T optional, support for twisted pair transmission

Switching Characteristic

- 10M Frame Forward Rate:14881pps
- 100M Frame Forward Rate:148810pps
- 1000M Frame Forward Rate:1488096pps
- Forward Mode:store-and-forward
- Switching Bandwidth:12Gbps
- Cache Size:1Mbits
- MAC Address Table:1K

Power Supply

- Input: Wide DC power input 12~48VDC (12V/24V/48V typical) with 7.62mm industrial power terminal
- No-load Consumption:< 0.48W (@24VDC)
- Full-load Consumption:< 4.8W (@24VDC)

Physical Characteristic

- Dimensions(W×H×D):40mm×128mm×102mm
- Weight:300g
- Housing: Metal, IP40 protection
- Installation: Wall mounting or DIN rail mounting

Environment Limits

- Work Temp:-40°C~75°C
- Storage Temp:-40°C~85°C
- Relative Humidity:5%~95%(non-condensing)

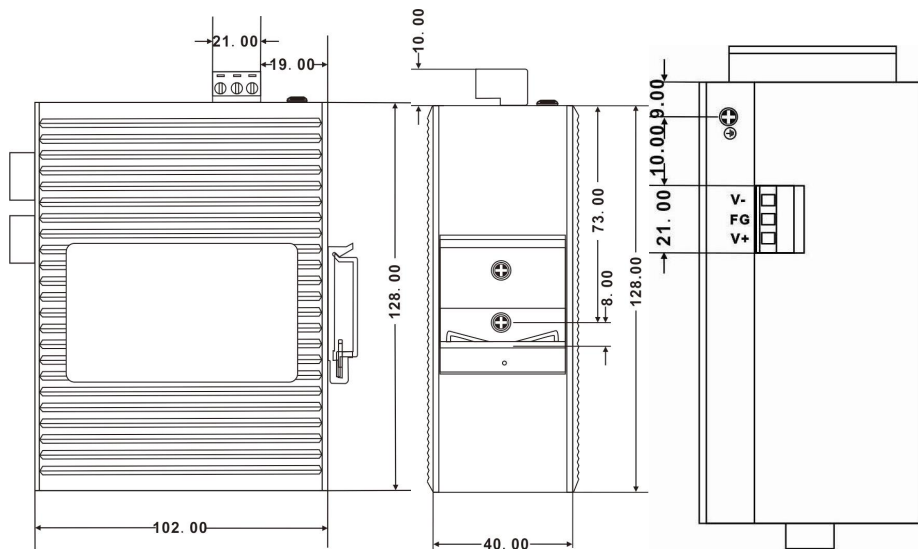
Warranty

- Warranty Period: 5 years

Standards and Certifications

- IEC61000-4-2(ESD):±6KV Contact, ±8KV Air (150KHZ-80MHZ)
- IEC61000-4-3(RS):10V/M(80-1000MHZ)
- IEC61000-4-4(EFT):Power ±4KV, Data Cable ±2KV
- IEC61000-4-5(Surge):Power ±2KV CM/ ±1KV DM, Data Cable±4KV
- IEC61000-4-6(CS):3V (10KHZ-150KHZ), 10V
- IEC61000-4-16(MS):30V COUNT 300V, 1S
- IEC60068-2-6(Vibration)
- IEC60068-2-27(Shock)
- IEC60068-2-32(Free Fall)
- IEC61000-6-2(General Industrial Standard)

Dimensions(mm)



Models

Model	Description
Ck1211	6-Port Gigabit Compact Ethernet Switch, 1*10/100/1000Base-T(X) RJ45 ports, 1*1000M SFP ports (1000Base-X, 1000Base-T optional), -40°C~75°C.
Ck1240	6-Port Gigabit Compact Ethernet Switch, 4*10/100/1000Base-T(X) RJ45 ports, -40°C~75°C.
Ck1241	6-Port Gigabit Compact Ethernet Switch, 4*10/100/1000Base-T(X) RJ45 ports, 1*1000M SFP ports (1000Base-X, 1000Base-T optional), -40°C~75°C.
Ck1242	6-Port Gigabit Compact Ethernet Switch, 4*10/100/1000Base-T(X) RJ45 ports, 2*1000M SFP ports (1000Base-X, 1000Base-T optional), -40°C~75°C.

Package List

- 6-Port Gigabit Compact Ethernet Switch with industrial power terminal
- Product Manual
- Product Warranty